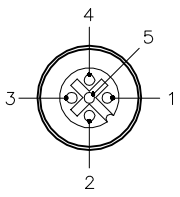
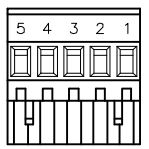
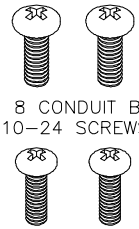
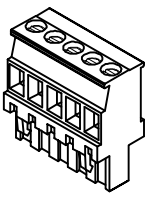
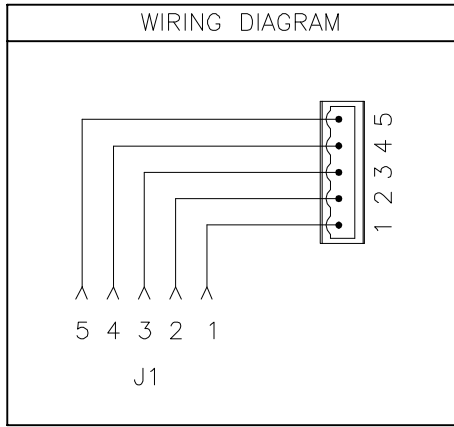
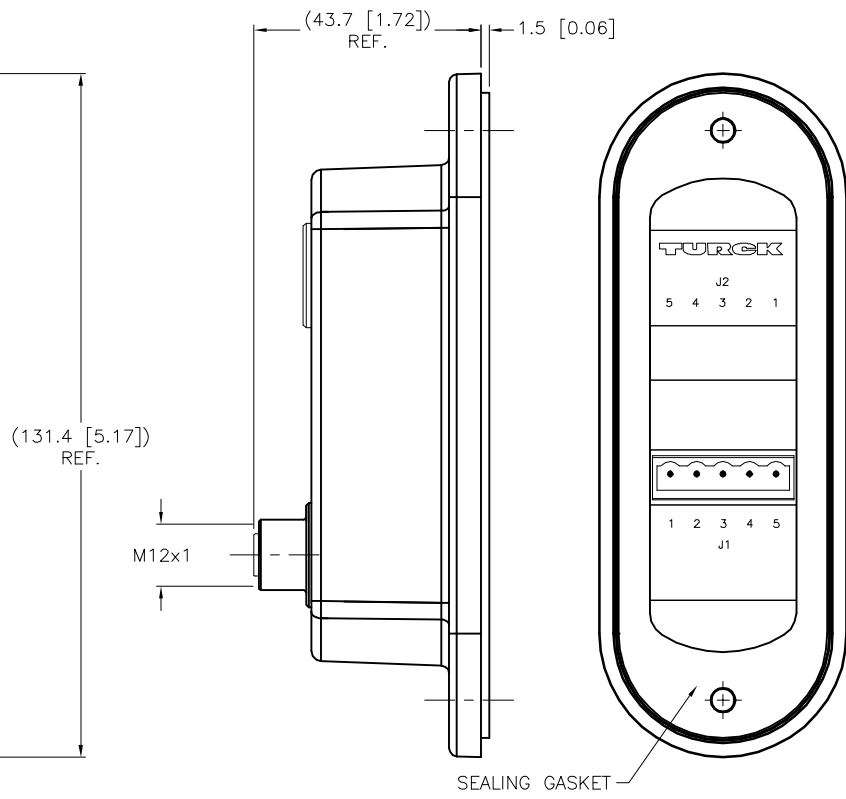
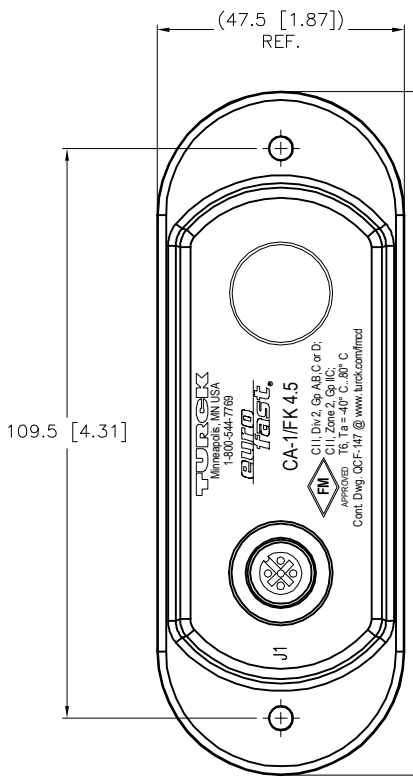
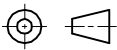


J1 CONNECTOR	TERMINAL BLOCK PLUG	COVER SCREWS INCLUDED	TERMINAL PLUG INCLUDED	SPECIFICATIONS	
		 <p>FORM 8 CONDUIT BODIES: 10-24 SCREWS</p> <p>MARK 9 CONDUIT BODIES: 8-32 SCREWS</p>		HOUSING MATERIAL/COLOR	NYLON 66 - 33% GLASS FILLED/BLACK
				RECEPTACLE HOUSING MATERIAL/PLATING	BRASS/NICKEL
				CONTACT CARRIER MATERIAL	TPU/BLACK
				CONTACTS MATERIAL/PLATING	BRASS/GOLD
				OPERATING VOLTAGE	250 V
				OPERATING CURRENT	4.0 A PER CONDUCTOR
				PROTECTION CLASS to DIN 40050	IP 67 - ONLY WHEN RECEPTACLE IS COVERED WITH A PLUG OR CONNECTED
				OPERATING TEMPERATURE	-30°C to +80°C (-22°F to +176°F)



SOURCE DRAWING - FOR REFERENCE ONLY

RELATED DOCUMENTS 1. 2. 3. 4.	3RD ANGLE PROJECTION 	THIS DRAWING IS CONFIDENTIAL AND THE PROPERTY OF TURCK INC. USE OF THIS DOCUMENT WITHOUT WRITTEN PERMISSION IS PROHIBITED.		3000 CAMPUS DRIVE MINNEAPOLIS, MN 55441 1-800-544-7769 (763) 553-7300 (763) 553-0708 fax www.turck.us	
		DRFT DD DATE 07/08/03		DESCRIPTION CA-1/FK 4.5	
		APVD DD SCALE 1=1.5			
		UNIT OF MEASUREMENT MILLIMETER [INCH]		IDENTIFICATION NO. U0905-91	REV G
MATERIAL SEE SPECIFICATIONS	ALL DIMENSIONS DISPLAYED ON THIS DRAWING ARE FOR REFERENCE ONLY CONTACT TURCK FOR MORE INFORMATION	DO NOT SCALE THIS DRAWING		FILE: U0905-91	SHEET 1 OF 1
FINISH SEE SPECIFICATIONS					
G UPDATED CLICHE AS 10/21/25 81451					
REV DESCRIPTION	BY DATE ECO NO.				

